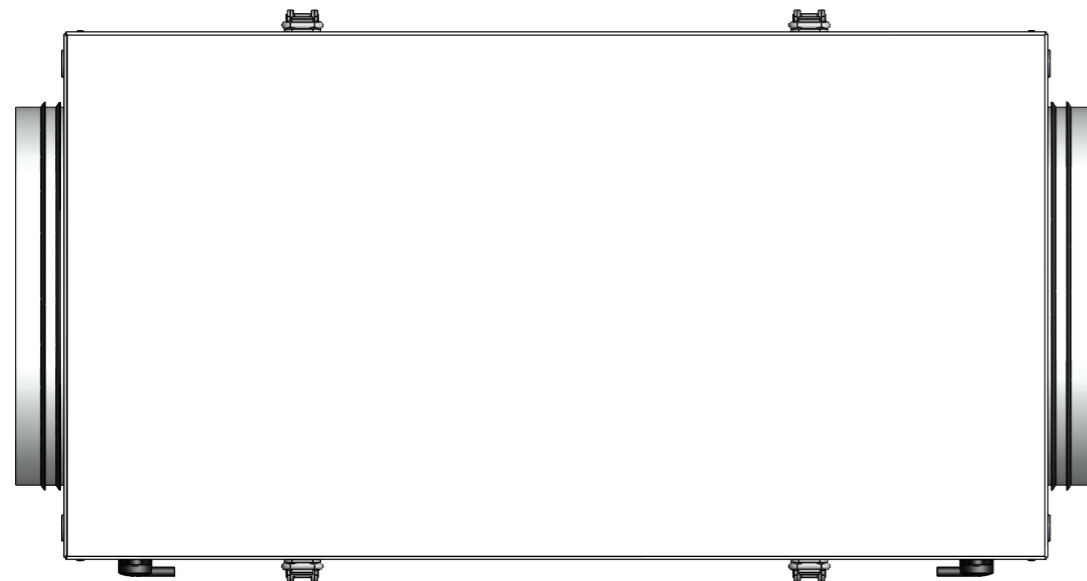
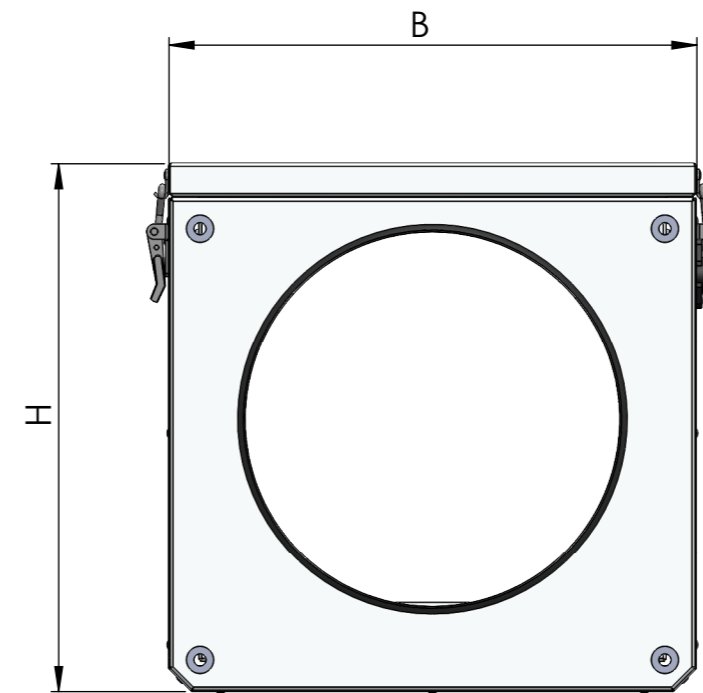
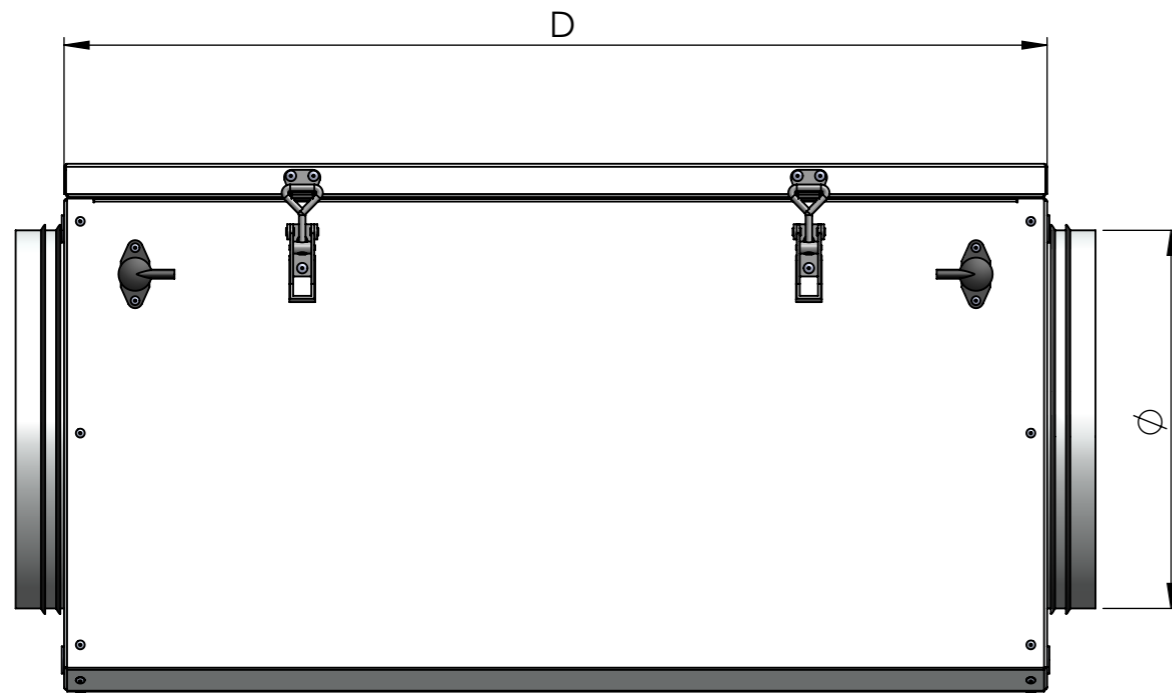



Item number	B	H	D	Ø
1000313	349	349	650	250
1000314	349	349	650	250
1000315	654	349	650	250
1000316	654	349	650	250



UNLESS OTHERWISE SPECIFIED:				DEBUR AND BREAK SHARP EDGES		DO NOT SCALE DRAWING		REVISION -01	
ACC. TO 3D CAD DIMENSIONS ARE IN MILLIMETERS				TITLE:		DWG NO. CamSpiro HF / CC		A3	
DRAWN	NAME IsacssHa	SIGNATURE	DATE 2020-10-07	MATERIAL:		SCALE:1:5		SHEET 1 OF 1	
CHK'D				WEIGHT:					
APPV'D									
MFG									
Q.A									